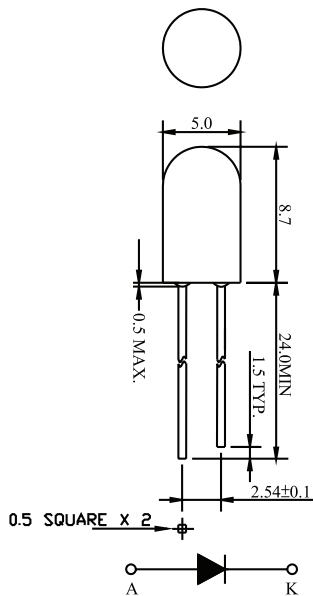


## Package Dimensions:

RoHS  
Compliant



## Features:

- Green lamp
- Made with GaP / GaP chip and green clear epoxy resin

All dimensions are in mm  
Tolerance:  $\pm 0.25$ mm

## Absolute Maximum Ratings at $T_a=25^\circ\text{C}$

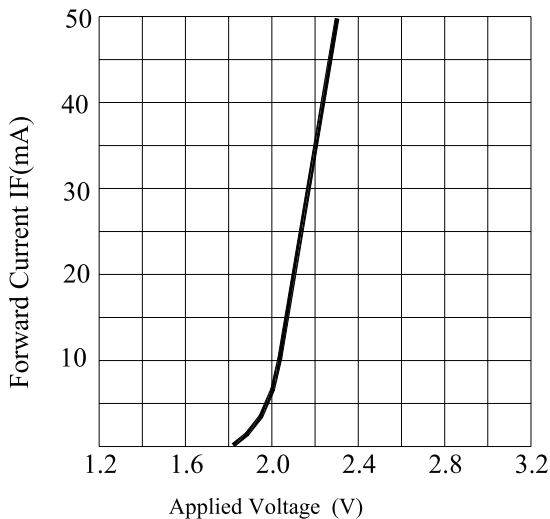
Parameter	Symbol	Rating	Unit
Power Dissipation	$P_D$	78	mW
Reverse Voltage	$V_R$	5	V
D.C. Forward Current	$I_f$	30	mA
Reverse (Leakage) Current	$I_r$	100	$\mu\text{A}$
Peak Current (1 / 10 Duty Cycle, 0.1ms Pulse Width)	$I_f$ (Peak)	100	mA
Operating Temperature Range	$T_{opr}$	-25 to + 85	$^\circ\text{C}$
Storage Temperature Range	$T_{stg}$	-40 to +100	$^\circ\text{C}$
Soldering Temperature (1.6mm from body)	$T_{sol}$	Dip Soldering: $260^\circ\text{C}$ for 5sec. Hand Soldering: $350^\circ\text{C}$ for 3sec.	

## Electrical & Optical Characteristics:

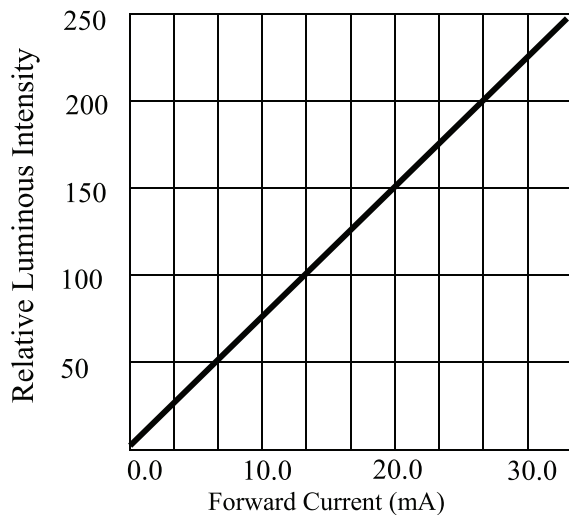
Parameter	Symbol	Condition	Min.	Typ.	Max.	Unit
Luminous Intensity	$I_v$	$I_f = 20\text{mA}$	62.2	150		mcd
Forward Voltage	$V_f$	$I_f = 20\text{mA}$		2.1	2.6	V
Peak Wavelength	$\lambda_p$	$I_f = 20\text{mA}$		567		nm
Dominant Wavelength	$\lambda_d$	$I_f = 20\text{mA}$		572		nm
Reverse (Leakage) Current	$I_r$	$V_r = 5\text{V}$			100	$\mu\text{A}$
Viewing Angle	$2\theta_{1/2}$	$I_f = 20\text{mA}$		15		deg
Spectrum Line Halfwidth	$\Delta\lambda$	$I_f = 20\text{mA}$		30		nm

- Notes: 1. The data is tested by IS tester.  
 2. Customer's special requirements are also welcome.

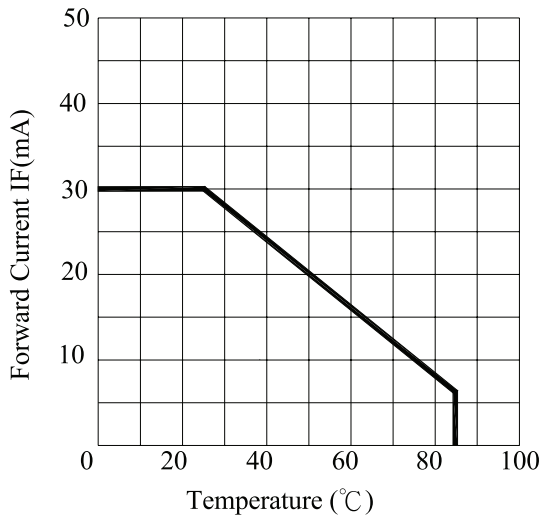
## Typical Electrical & Optical Characteristics Curves:



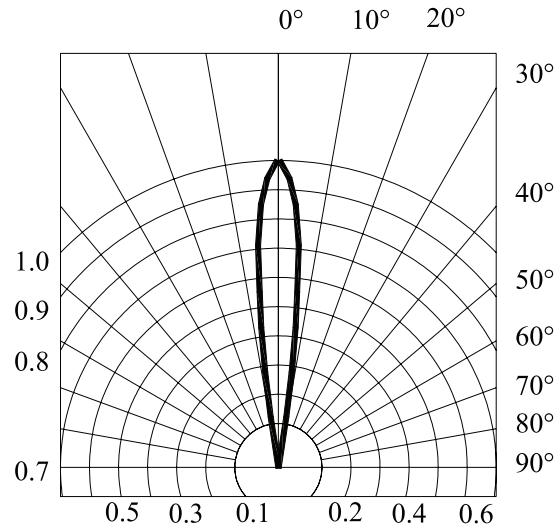
**FORWARD CURRENT VS. APPLIED VOLTAGE**



**FORWARD CURRENT VS. LUMINOUS INTENSITY**



**FORWARD CURRENT VS. AMBIENT TEMPERATURE**



**RADIATION DIAGRAM**

### Part Number Table

LED Chip		Lens Colour	Part Number
Material	Emitting Colour		
Gap / GaP	Green	Green clear	703-0097

**Important Notice :** This data sheet and its contents (the "Information") belong to the members of the AVNET group of companies (the "Group") or are licensed to it. No licence is granted for the use of it other than for information purposes in connection with the products to which it relates. No licence of any intellectual property rights is granted. The Information is subject to change without notice and replaces all data sheets previously supplied. The Information supplied is believed to be accurate but the Group assumes no responsibility for its accuracy or completeness, any error in or omission from it or for any use made of it. Users of this data sheet should check for themselves the Information and the suitability of the products for their purpose and not make any assumptions based on information included or omitted. Liability for loss or damage resulting from any reliance on the Information or use of it (including liability resulting from negligence or where the Group was aware of the possibility of such loss or damage arising) is excluded. This will not operate to limit or restrict the Group's liability for death or personal injury resulting from its negligence. Multicomp Pro is the registered trademark of Premier Farnell Limited 2019.