

60W Triac Dimmable LED Drivers

multicomp PRO

**RoHS
Compliant**



Features

- Constant voltage/ PWM Output
- Leading & Trailing edge dimmable
- AC input: 200-240V AC
- Built-in active PFC function
- Efficiency up to 85%
- Protections: Short circuit/ Over loading/ Over current/ Over temperature
- Full protection plastic housing easy installation
- Cooling by free air convection
- Suitable for LED lighting and moving signs

Models	MP007726	MP007727
Output Specifications		
Output Voltage	12V	24V
Voltage Tolerance	±0.5V	
Output Current	5A	2.5A
Rated Power	60W	
Input Specifications		
Input Voltage	200V AC to 240V AC	
Frequency Range	47Hz to 63Hz	
Inrush Current	50A (Twidth=176µs 230V AC)	
Full Load Efficiency (Typ.)	85%	
AC Current (Max.)	0.38A	
Leakage Current	<0.5mA	
Power Factor	PF>0.98/200V AC PF>0.98/230V AC PF>0.98/240V AC (Full Loading)	
Protection		
Short Circuit	Shut down o/p voltage, re-power on to recover after fault condition is removed	
Over Loading	≤120%, shut down o/p voltage, re-power on to recover	
Over Current	≤1.2 *I out	
Over Temperature	100°C ±10°C shut down o/p voltage, re-power on to recover	
Environment		
Working Temperature	-40 to +70°C (Refer to derating curve)	
Working Humidity	20% to 90% RH, non-condensing	
Storage Temperature, Humidity	-40°C to +80°C, 10% RH to 95% RH	
Temperature Coefficient	±0.03%/°C (0°C to 50°C)	
Vibration	10Hz to 500Hz, 2G 10min./ 1 cycle, period for 72min.each along X, Y, Z axes	
Safety & EMC		
Safety Standards	EN61347-1, EN61347-2-13	
Withstand Voltage	I/P-O/P: 3.75KV AC	
Isolation Resistance	I/P-O/P:100MΩ/500V DC/25°C/70%RH	
EMC Emission	Compliance to EN55015, EN61000-3-2,3 (>60%load)	

Newark.com/multicomp-pro
Farnell.com/multicomp-pro
Element14.com/multicomp-pro

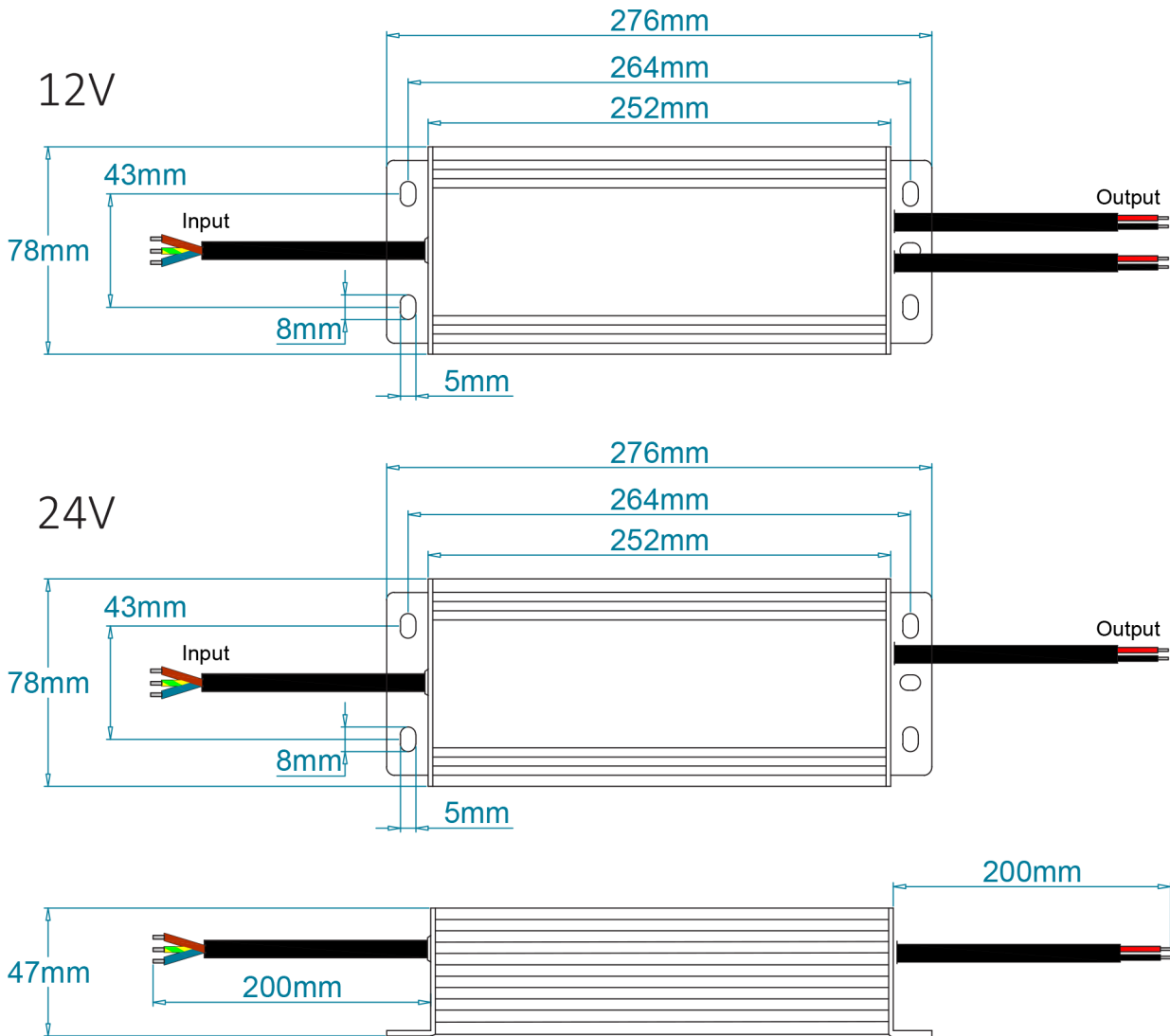
multicomp PRO

60W Triac Dimmable LED Drivers

multicomp PRO

Models	MP007726	MP007727
Other Specifications		
Weight	0.35 Kg	
Size	178mm × 61mm × 24mm	
Packing	185mm × 65mm × 28mm (inner box), 290mm × 215mm × 240mm (20PCS/CTN)	

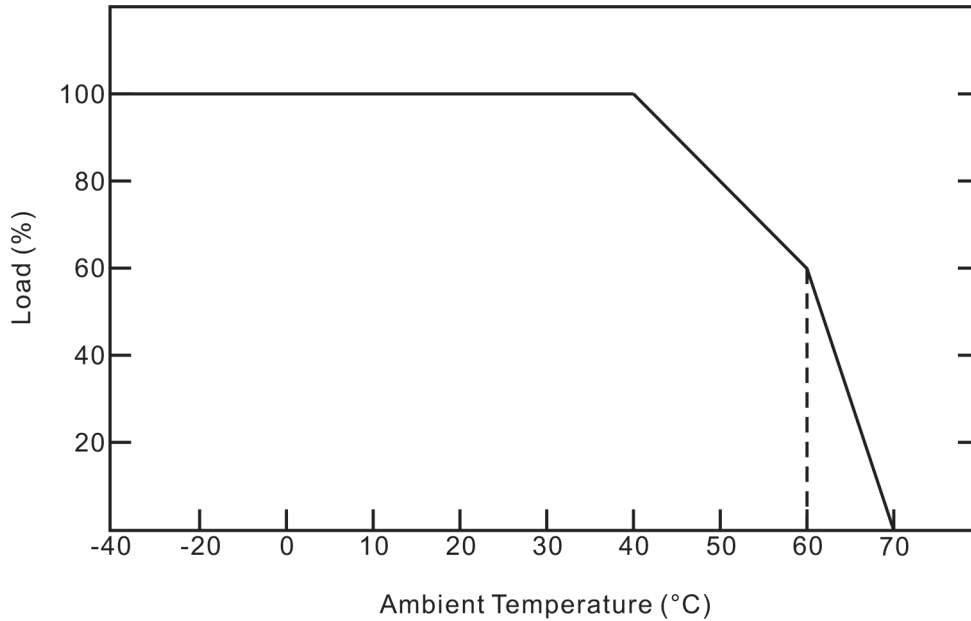
Mechanical Specification



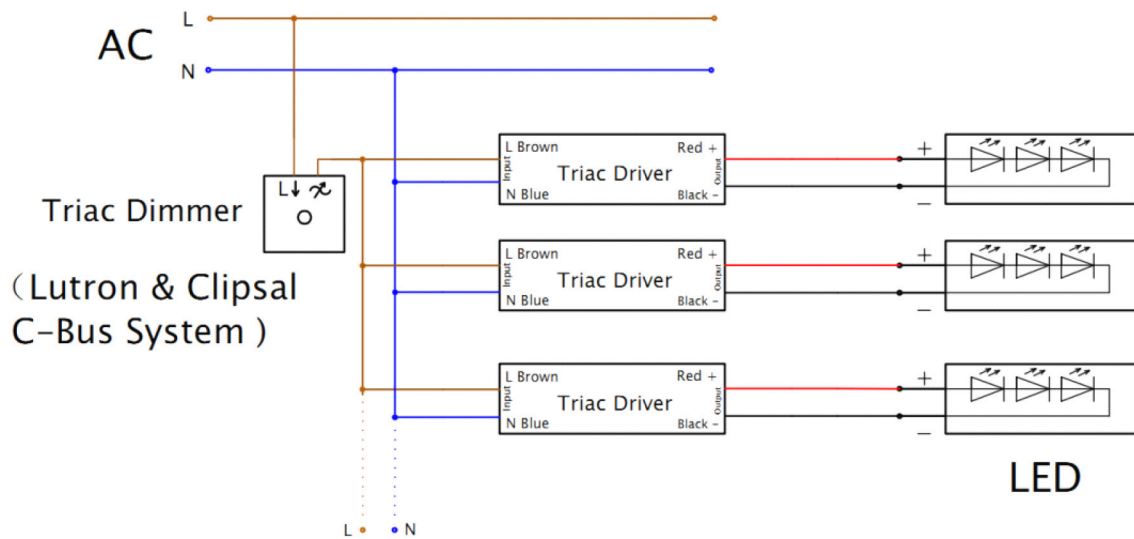
Dimensions : Millimetres

60W Triac Dimmable LED Drivers

Derating Curve

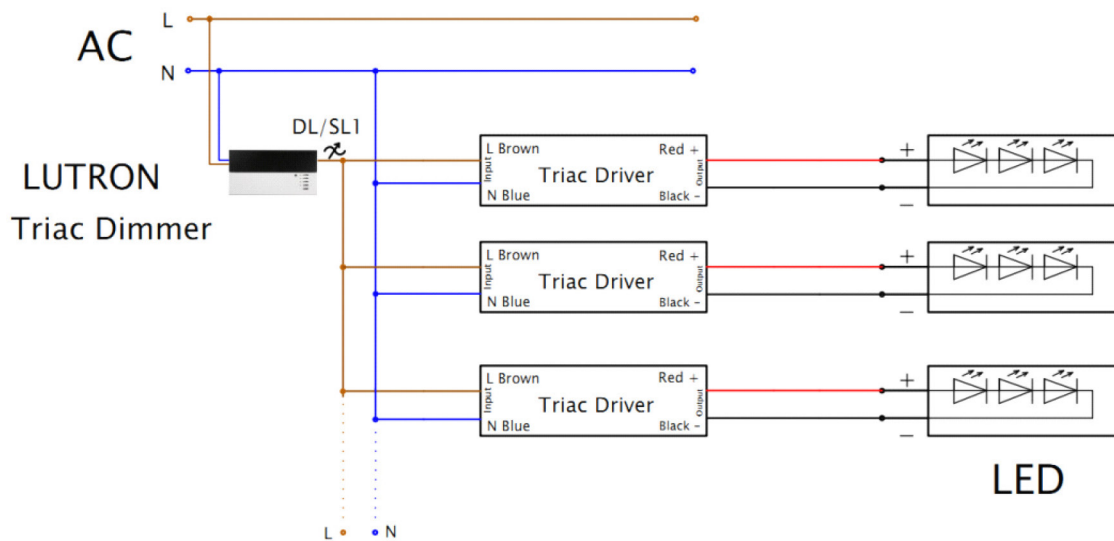
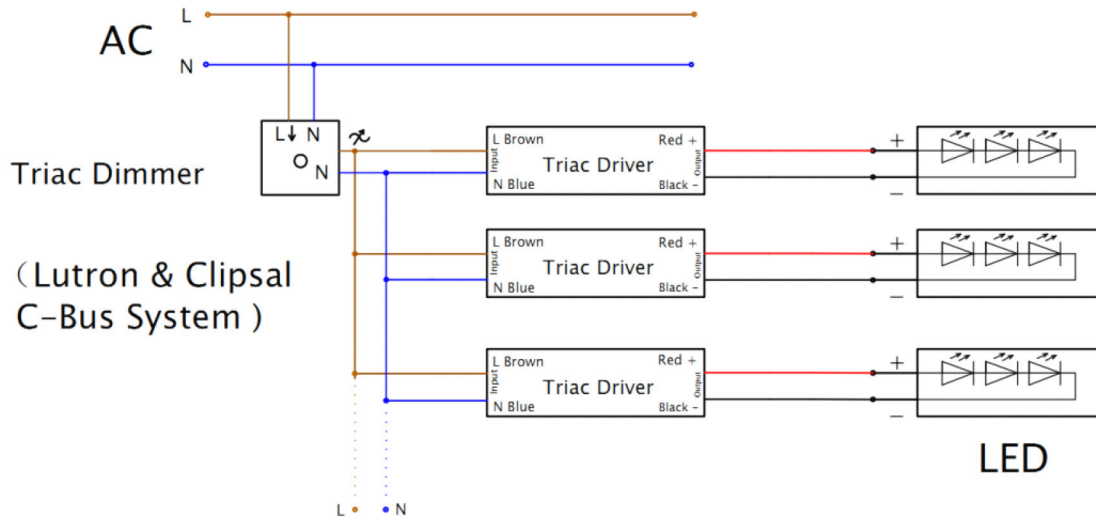


Connecting Diagram



60W Triac Dimmable LED Drivers

Connecting Diagram



Part Number Table

Description	Part Number
Triac Dimmable LED Driver, 60W, 12V, IP20	MP007726
Triac Dimmable LED Driver, 60W, 24V, IP20	MP007727

Important Notice : This data sheet and its contents (the "Information") belong to the members of the AVNET group of companies (the "Group") or are licensed to it. No licence is granted for the use of it other than for information purposes in connection with the products to which it relates. No licence of any intellectual property rights is granted. The Information is subject to change without notice and replaces all data sheets previously supplied. The Information supplied is believed to be accurate but the Group assumes no responsibility for its accuracy or completeness, any error in or omission from it or for any use made of it. Users of this data sheet should check for themselves the Information and the suitability of the products for their purpose and not make any assumptions based on information included or omitted. Liability for loss or damage resulting from any reliance on the Information or use of it (including liability resulting from negligence or where the Group was aware of the possibility of such loss or damage arising) is excluded. This will not operate to limit or restrict the Group's liability for death or personal injury resulting from its negligence. DURATOOL is the registered trademark of Premier Farnell Limited 2019.