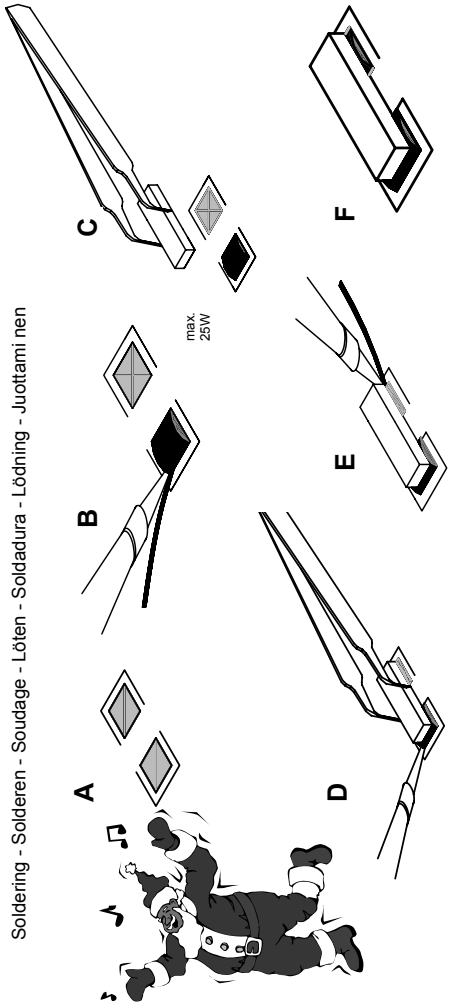
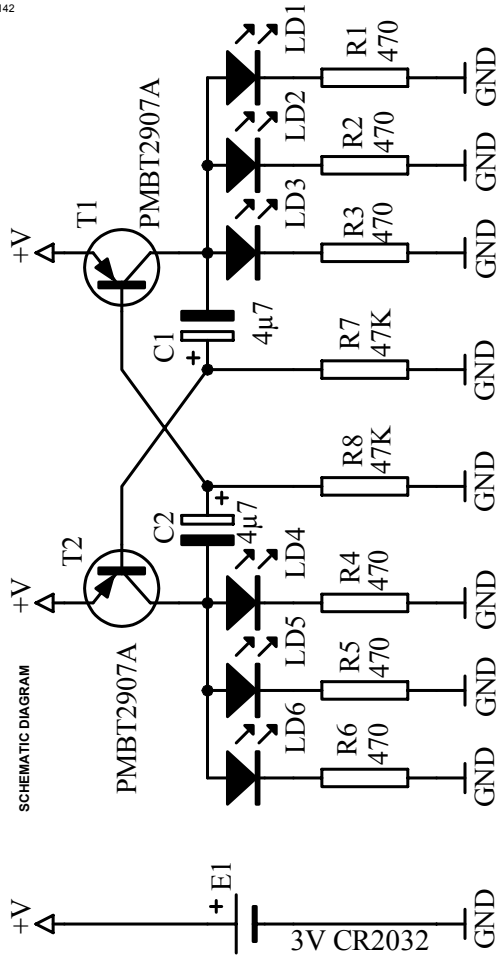
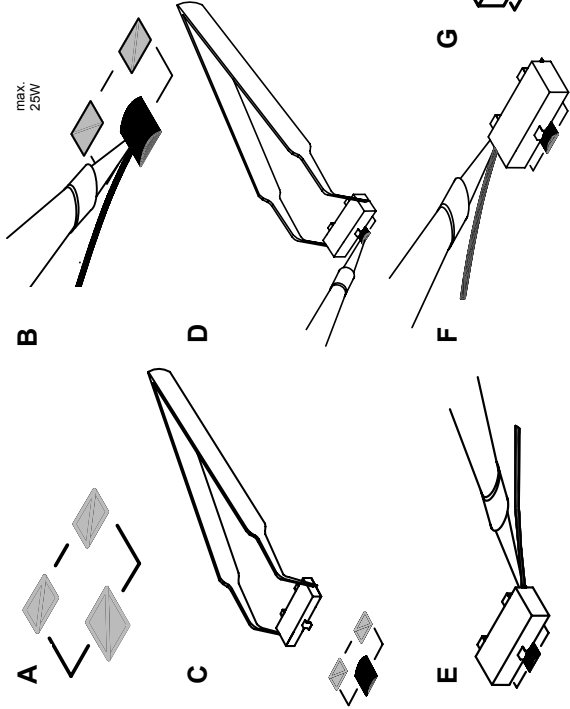


max. 25W



START **1**

Resistor - Weerstand - Resistencia - Molestand - Vastus - Resistenze

2 **TRANSISTORS**

3 **LED'S**

◇ R1 ... R6 : 470 (471)
 ◇ R7, R8 : 47K (4702, 473)
 ◇ T1, T2: PMBT2907A
 ◇ LD1 ... LD6: Red

4 **ELECTROLYTIC CAPACITORS**

5 **BATTERY**

◇ C1, C2 : 4μ7 (4.7 - 16V)
 ◇ E1 : 3V (CR2032)